



Tabletop Stereo
R2mk3

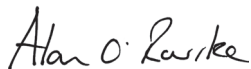
User guide	EN
Brugervejledning	DA
Bedienungsanleitung	DE
Guía del usuario	ES
Guide de l'utilisateur	FR
Manuale dell'utente	IT
Gebruikershandleiding	NL
Brukerveiledning	NO

Thank you for choosing our R2 Tabletop Radio.

Please take the time to read this user guide as it will help you get the best from your radio.

With due care, we're confident your R2 will give you many years of listening pleasure but, should you need help or advice, please do not hesitate to contact us. As a British, family-run company, we pride ourselves on our customer service and will always do our utmost to help.

Once again, thank you for choosing Ruark Audio.

A handwritten signature in black ink that reads "Alan O'Rourke". The signature is written in a cursive style with a large initial 'A' and 'O'.

Alan O'Rourke
Founder and managing director

Contents

Specifications	3
What's in the box	4
Overview	5
Controls	6
Remote control	7
Getting started	8
Common functions	12
System settings	15
Alarms, snooze and sleep	17
FM radio	18
DAB radio*	19
Internet radio	21
Bluetooth	23
Music player (network & USB)	25
DLNA media streaming	27
Spotify Connect	28
Line in audio inputs	29
Troubleshooting	29
Safety and regulatory information	30
Guarantee information	32
General care	32

Specifications

- 2 x 3.5" custom high fidelity drivers
- Tuned bass reflex cabinet
- 18w nominal power output
- Enhanced 3D sound processing
- DAB*, DAB+* and FM tuner with RDS
- Internet radio
- Spotify Connect
- Removable DAB/FM aerial with F-Type connector
- Security slot
- 128 x 64 OLED display
- Full function remote control
- Wi-Fi 802.11a/b/g/n compliant
- Wi-Fi Protected Setup (WPS2)
- Compatible with UPnP™ DLNA media servers
- MP3, WMA, AAC, FLAC, WAV up to 96kHz/24-bit
- A2DP, aptX Bluetooth

Inputs and outputs

- Line in audio input 1 - 3.5mm stereo jack
- Line in audio input 2 - stereo RCA/phono
- 3.5mm headphone output
- USB 2.0 playback, 5.0V 1.0A (5W) output

Power supply

- Input power 100V to 240VAC, 50-60Hz 1.0A max

Physical

- Dimensions: 360x115x199mm (14.2x4.5x7.8ins)
- Weight: 3.4kg (7.5 lbs)

* excludes US version

What's in the box

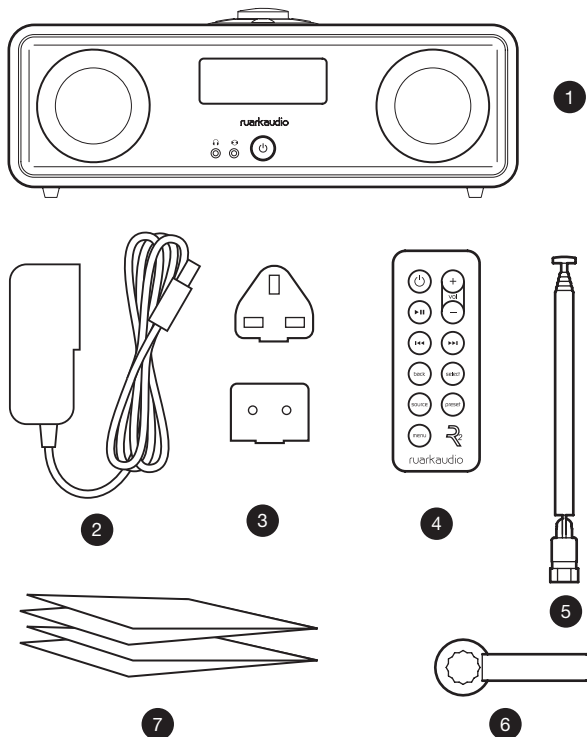
Ensure that all the parts listed below are in the box.

If any part is missing, do not use the R2. If purchased in the UK, contact us directly. If purchased outside the UK, please contact your Ruark Audio dealer.

1. R2 stereo
2. 100-240V to 14V power supply
3. Mains plug adapter(s)*
4. Remote control
5. Telescopic aerial
6. Aerial spanner
7. User guide

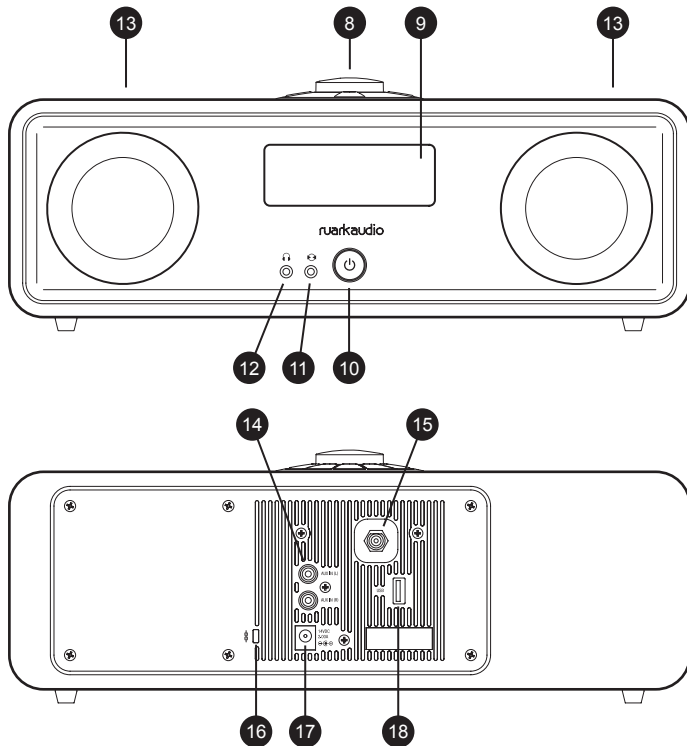
If possible, please retain carton and all packing materials.

* the number and type of plug adapters supplied will vary according to region.



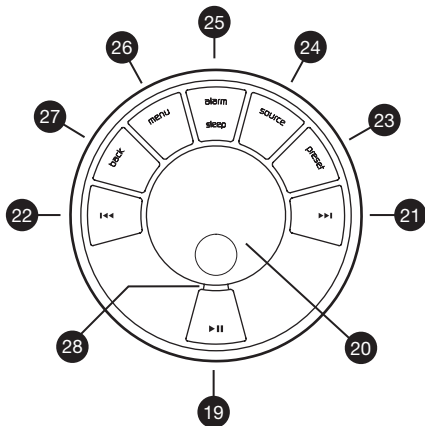
Overview

- 8. Controls
- 9. Display
- 10. ⏻ (STANDBY) – press to power on or off the radio.
- 11. Audio input (3.5mm jack)
- 12. Headphone (3.5mm jack)
- 13. Full range 3.5" speaker
- 14. Audio input (stereo RCA/phono)
- 15. Aerial connector
- 16. Security slot
- 17. DC power socket (14V 2.0A)
- 18. USB (5W output)



Controls

19. **▶||** – press to play/pause a track or mute radio
20. **CONTROL KNOB / SELECT**
Rotate to adjust volume from a Now-playing screen
Rotate to browse menus, tracks or station lists*
Press to select
21. **▶▶|** – press to skip to next station or track
22. **|◀◀** – press to skip to previous station or track
23. **PRESET** – press to recall a saved station or press and hold for two seconds to save a radio station
24. **SOURCE** – press to change audio source
25. **ALARM/SLEEP** – press once to set alarm 1, press twice to set alarm 2 or press and hold for two seconds to set sleep timer
26. **MENU** – press to view the menu
27. **BACK** – press to return to the previous menu or list screen
28. Indicator light – indicates your R2 is on and flashes when Bluetooth is ready to pair or when pressing a key on the remote.



* You can also press **▶▶|** or **|◀◀** to browse menus, tracks or station lists

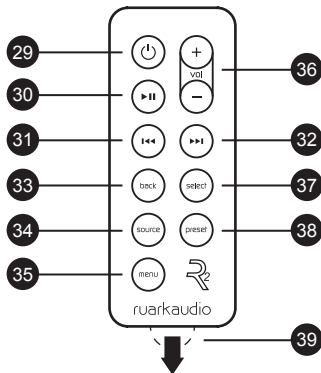
How long you press a key is important

Press = tap or press and immediately release

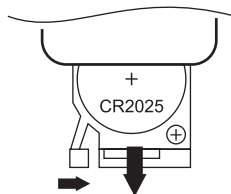
Press and hold = press and release after two seconds

Remote control

- 29. **⏻ (STANDBY)** – press to power on or off the radio
- 30. **⏸** – Press to play/pause a track or mute radio
- 31. **⏮** – press to skip to previous station/track/menu option
- 32. **⏭** – press to skip to next station/track/menu option
- 33. **BACK** – press to return to the previous menu or list screen
- 34. **SOURCE** – press to change audio source
- 35. **MENU** – press to view the menu
- 36. **VOL** – press + or - to change the volume
- 37. **SELECT** – press to select (same as pressing the control knob)
- 38. **PRESET** – press to recall a saved station or press and hold for two seconds to save a radio station.



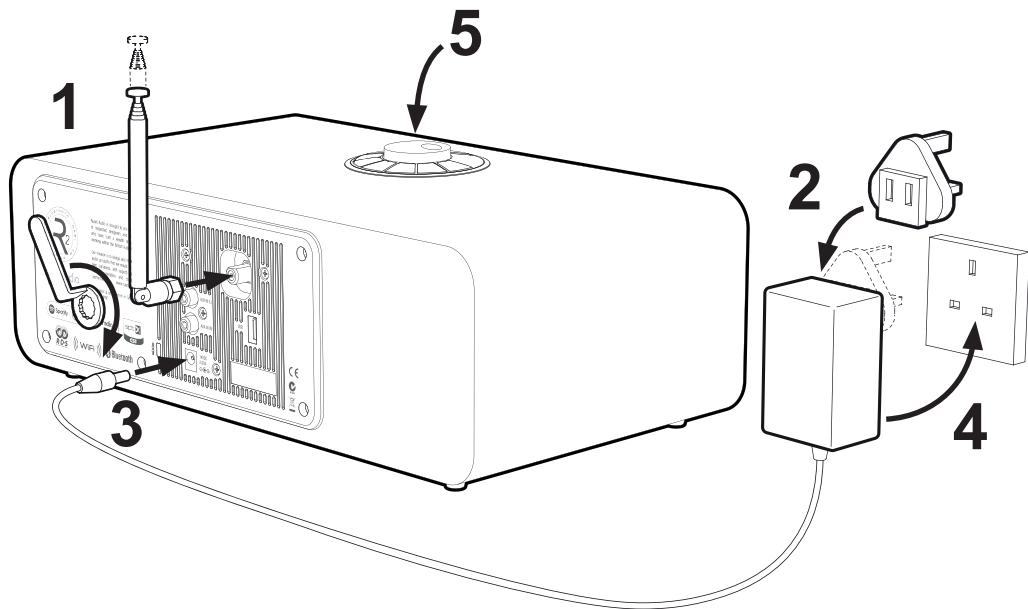
NOTE: before using your remote for the first time you must remove the orange plastic tab (39) to activate the battery.



Changing battery

1. Hold the lock to the side with your finger and slide the battery compartment out.
2. With the remote face down, replace the battery with a new CR2025, ensuring the flat side marked with + faces up.
3. Push the battery compartment back into place.

Getting started



1. Fit aerial

Connect the aerial to the socket on the back of your R2 and tighten the nut with the spanner. If you do not tighten the nut, the aerial may come loose when moving the aerial.

Place your R2 on a suitable shelf or table and fully extend the aerial to ensure you get the best possible radio reception.

2. Fit the plug to the AC power adapter

Fit the correct plug for your region to the mains power supply. When you fit the plug adapter, it will “click” into place.

3. Connect the DC cable

Connect the DC cable from the power supply to the DC power socket (14V 2.0A) on the back of your R2.

4. Connect to AC mains

Plug the AC power adapter into a mains power socket.

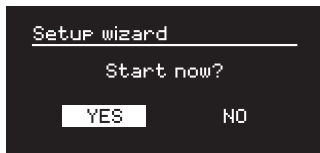
5. Turn on

Press  to turn the radio on.

6. Setup wizard

When you turn on your R2 for the first time, setup wizard starts automatically. Follow the on-screen guide to configure the clock and connect to your Wi-Fi network.

To configure a setting, rotate the **CONTROL KNOB** until your preferred choice is highlighted, then press the knob to select it.



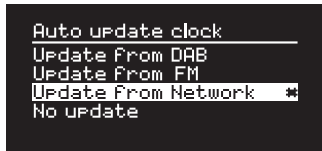
To start the setup wizard, rotate the **CONTROL KNOB** to highlight YES and then press the knob to select. If you choose NO, you can then choose to run the wizard next time your R2 is turned on, and then it starts without configuring time/date and network settings.

7. Time format

Choose 12 or 24 hour clock display.

8. Automatic clock update

Choose whether the clock updates automatically from DAB, FM or Network, or is set manually. If you select to update it automatically, the time and date will update every time you use that source, so it's best to select a source you use regularly.



If you select *No update*, the date and time are displayed as *dd-mm-yyyy* and *hh:mm AM/PM* with the day flashing. Rotate the **CONTROL KNOB** to change the day then press the knob to save it. Now the month will flash, set that and then continue until you've set the time and date.

9. Time zone

Choose the time zone for your region.

10. Daylight savings

Choose whether the time is automatically updated for summer/winter time.

11. Keep network connected

Choose whether your R2 always remains connected to your Wi-Fi, even in standby. We recommend you set it to *keep connected* as it will ensure your R2 is always accessible using Spotify or DLNA music streaming, even when in standby. We also recommend this if you have set your clock to update from Network.

12. Select Wi-Fi region

Select the appropriate region for your location.

13. Select Wi-Fi network

Select a network from the list of available wireless networks.



Connecting to an open (unsecured) network

If the network is open, your R2 will connect automatically.

Connecting to a standard encrypted network

If your network is a standard encrypted (secure) network, you will need to enter the password.

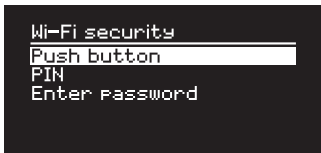
Rotate the **CONTROL KNOB** to highlight a character,

then press the knob to enter it. When you have entered the complete password highlight **OK** and press the knob. Selecting **BKSP** deletes the last character and **CANCEL** returns to the previous menu.



Connecting to an encrypted WPS network

If your network has WPS (Wi-Fi Protected Setup), it will be identified by *[WPS]* before the network name. You can connect using a password or by either pressing the WPS button on your router, or entering the WPS PIN. For more information, please refer to your router's user guide.



If your R2 fails to connect to the network, it will return to the previous screen so you can enter the security settings again. For more instructions on how to connect to your network, see your router's instructions.

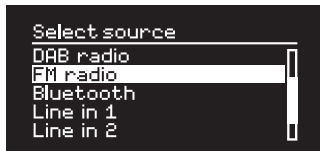
14. Complete setup wizard

When your setup is complete, press the **CONTROL KNOB** to save the settings and exit the wizard.



15. Select a source

At the end of the initial setup, your R2 will display a menu with a list of the available sources. Use the **CONTROL KNOB** to choose a source and press **SELECT**.



Currently saved settings are marked with an asterisk ()*

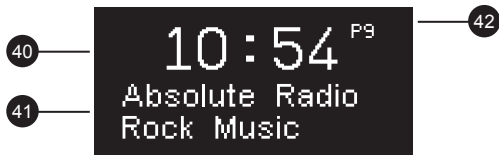
Common functions

Switch on and to standby

Press **STANDBY** to turn your radio on. Press again to switch to standby.

Now-playing screens

Unless you're adjusting a setting, the screen will look similar to the example below.



- 40. Clock
- 41. Station/track info
- 42. Preset number

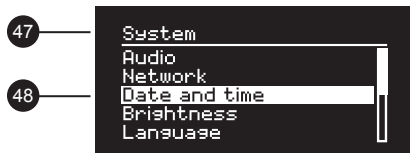
On-screen icons:

- 43. Alarm 1 & 2
- 44. Sleep timer
- 45. Shuffle
- 46. Repeat



Menu screens

The menus enable you to set the various options such as adjusting the bass and treble. To change a setting, press **MENU** to display the list of available options, rotate the **CONTROL KNOB** to highlight the one you wish to change, then press the knob to confirm your selection.



- 47. Menu title
- 48. Menu options

Browsing menus, track and station lists

To change settings – press **MENU**

To scroll through options – rotate **CONTROL KNOB**

To select option – press **CONTROL KNOB**

To exit menu – press **MENU** or wait for a few seconds

To return to the previous menu/list – press **BACK**

Adjust volume

Rotate the **CONTROL KNOB** from any Now-playing screen.

Speaker volume and headphone volume are adjusted separately, so when headphones are plugged in the volume is shown as *Volume (HP)*.

NOTE: rotating the **CONTROL KNOB** when a menu or track/station list is displayed will scroll through the menu or list and not change the volume.

Change audio source

Press **SOURCE** to view the current source, rotate the **CONTROL KNOB** to cycle through the list of sources, then press the knob to select one currently displayed. (You can also press **SOURCE** repeatedly to cycle through the list of sources instead of rotating the knob.)



Pause track or mute radio

Press **▶||** and then press again to resume listening.

Play next/previous track

Press **▶▶** to skip to the next track in the folder or album, press **◀◀** to skip to the start of the current track, press again to skip to the previous track.

Fast forward or rewind track

Press and hold **▶▶** or **◀◀** (not available with Bluetooth).

Change FM radio station

Press **▶▶** or **◀◀** to seek the next or previous station. See FM section for more details.

Change DAB radio station

Press **▶▶** or **◀◀** to tune to the next or previous station.

You can also view the multiline station list by selecting **MENU > Station list**.

See DAB section for more details.

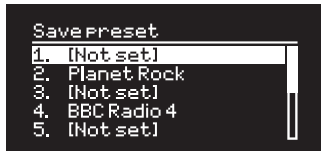
How long you press a key is important

Press = tap or press and immediately release

Press and hold = press and release after two seconds

Save radio station preset

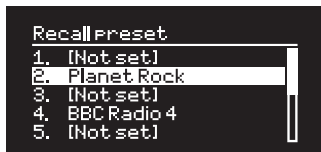
Press and hold **PRESET** for two seconds, rotate the **CONTROL KNOB** to choose the preset number, then press the knob to save the current station. Presets are either marked with the station name, frequency or as '[Not set]'.



If you save a station over an existing preset, the new station will replace it.

Recall radio station preset

Press **PRESET**, rotate the **CONTROL KNOB** to scroll through the preset station list, then press the knob to select a station.



Change station or track information

Change the station/track information displayed by selecting one of the options from **MENU > Info**.

Connect a Bluetooth device

Your R2 will attempt to automatically connect to the last connected device. If you have not yet paired your device or the previous device is not available, your R2 will enter into pairing mode. See Bluetooth section for more details.

Headphones

Connect your headphones to the 3.5mm stereo jack socket (🎧) on the front of your R2.

Headphone volume is adjusted independently from speaker volume, so when headphones are plugged in the volume is shown as *Volume (HP)*.

Please note that: **MENU > System settings > Audio** means press **MENU**, select **System settings** and finally select **Audio**

System settings

Bass and treble

MENU > System > Audio

Adjust the bass and treble levels using the **CONTROL KNOB** then press it to save the setting.

Loudness

Loudness automatically boosts the treble and bass frequencies at lower volumes.

MENU > System > Audio

Highlight *Loudness* and press the **CONTROL KNOB** to toggle on and off.

3D sound

3D widens the stereo sound stage and creates a more immersive and involving sound.

MENU > System > Audio

Highlight *3D* and press the **CONTROL KNOB** to toggle on and off.

Date and time

MENU > System > Date and time

The time and date are automatically synchronised with national time signals broadcast over DAB, network and FM (when available).

You can also set the time manually by turning auto update off and change the time and date format.

Display brightness

MENU > System > Brightness

You can independently adjust the brightness of the display when the radio is on *On level* and in standby *Standby level*. When your R2 is in standby and the standby brightness is set to *OFF*, pressing any key on the dial or remote will briefly illuminate the display.

Language

MENU > System > Language

Change the menu language.

Software update

MENU > System > Software update

Your R2 is set to automatically check for software updates. If one is available, you will be asked whether you want to download and install it.

CAUTION: Disconnecting the power during a software update could permanently damage your R2.

Factory reset

MENU > System > Factory reset

Resets all settings and clears presets.

Setup wizard

MENU > System > Setup wizard

Runs the setup wizard to guide you through setting up the clock and network.

Inactive standby

Your R2 is set to automatically switch itself to standby if there is no audio for more than 2 hours. To change this select **MENU > System > Inactive standby**.

Network wizard

For a guided process to help you connect to a Wi-Fi network, select **MENU > System > Network > Network wizard**.

Network profiles

Your R2 will automatically attempt to connect to any network it has previously connected to.

To see the list of saved networks, select **Menu > System > Network > Network profile**. To delete an unwanted network, highlight it, press the **CONTROL KNOB** and select **YES**.

Keep network connected

MENU > System > Network > Keep connected

Change whether your R2 remains permanently connected to the network (recommended) or not.

System information

Shows details of your R2 including the software version, unique radio ID code and friendly name.

Advanced network settings

There are other advanced network settings for experienced users for manual configuration or diagnosing and fixing network problems.

Friendly name

The friendly name is how your R2 shows up on networks, Spotify and Bluetooth. You can change this to something more descriptive like “Archie’s R2” or “Living room R2”.

You can view your R2’s status and change its friendly name by viewing its web page in a browser. In Windows, your R2 will typically show up as a Media Device, double clicking on the icon will open the configuration page in your browser.

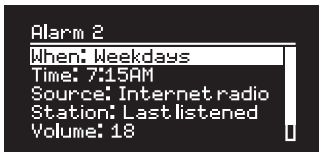
To find out more, visit www.ruarkaudio.com/support

Alarms, snooze and sleep

Setting an alarm

An active alarm is indicated by the alarm icon (41) and when it sounds, the icon flashes.

Press **ALARM** and select alarm 1 or alarm 2 using the **CONTROL KNOB**.



Using the **CONTROL KNOB** highlight the option you wish to change and press the knob.

Choose when the alarm will sound (off, daily, once, weekends or weekdays), set the time and then choose to have the alarm play a radio station or sound a tone and finally choose the volume. Finally, select save to save the alarm and exit the set up menu.

NOTE: it is not possible to use a Bluetooth source, USB or network music server for the alarm.

Snooze

Press the **CONTROL KNOB** to temporarily silence a sounding alarm, press it again to increase the snooze period (5, 10, 15 or 30 minutes).

To cancel an alarm that is sounding or in snooze mode, press and hold the **CONTROL KNOB** for two seconds or press **ALARM**.

Sleep timer

To set the time after which your R2 will automatically switch to standby, press **SLEEP** for two seconds.

Press the **CONTROL KNOB**, then rotate it to choose the delay in minutes (Off, 15, 30, 45, 60, 90) and finally press the knob to confirm your selection. The display then dims to standby brightness, returns to the Now-playing screen and displays the sleep icon (42).

Alarms can also be set in standby

FM radio

Your R2 radio receives analogue radio from the FM band and when available, displays the station name and radio text using RDS/RBDS information (Radio Data System/ Radio Broadcast Data System).

Press **SOURCE** and rotate the **CONTROL KNOB** or repeatedly press **SOURCE** until *FM radio* is displayed, then press the knob to select it.

Change station

Press **▶▶** or **◀◀** to automatically tune to the next available FM station. If RDS/RBDS is unavailable the frequency is displayed instead.



You can change the scan setting to only stop at stations with a strong signal by selecting **Menu > Scan setting > Strong stations only**.

FM radio text (RDS/RBDS)

RDS is information broadcast by some FM stations. Choose from radio text, programme type, frequency, signal strength and date by selecting **MENU > Info**.

Manual tune

Select **MENU > Manual tune** then either rotate the **CONTROL KNOB** or press **▶▶** or **◀◀** to change the frequency.

Save preset

You can store 10 FM stations in your preset list. The station name will be stored only when RDS/RBDS is available. See 'Common functions' section.

Recall preset

'See Common functions' section.

For optimal reception, fully extend the aerial and adjust its position

DAB radio*

Your R2 radio receives DAB/DAB+ digital radio and displays information about the station and programme being broadcast.

Press **SOURCE** and rotate the **CONTROL KNOB** or repeatedly press **SOURCE** until *DAB radio* is displayed, then press the knob to select it.

The first time you use your R2, or if the station list is empty, it will automatically perform a full scan to identify available stations.

Change station

Press **▶▶** or **◀◀** to tune to the next/previous station.

Station list

To view a list of available DAB stations select **MENU > Station list**. To tune to a new station, scroll through the list by rotating the **CONTROL KNOB** and select a station by pressing the knob.



* excludes US version

DAB radio text (DLS)

DLS (Dynamic Label Segment) is information broadcast by DAB stations. Choose from radio text, programme type, signal strength, signal format and date by selecting **MENU > Info**.

Save preset

You can store 10 DAB stations in your preset list. See 'Common functions' section.

Recall preset

See 'Common functions' section.

Secondary services

Some DAB radio stations have one or more secondary stations associated with them. If a secondary station is available '>>' is shown after the current station name in the station list.

Secondary stations are indicated with '<<' before the station name.

Invalid stations have '?' in front of the station name

Station order

The DAB station list can be ordered by *Alphanumeric*, *Ensemble* or *Valid*. *Alphanumeric* puts the stations in alphabetical order, *Ensemble* groups stations from the same broadcaster together, *Valid* shows available stations first and places invalid stations (marked with ‘?’) last.

To change station order, select **Menu > Station order** and select **Alphanumeric** (default), **Ensemble** or **Valid**.

Station scan

If the station list is empty the radio will automatically perform a full scan as soon as you switch to DAB.

In any case, we recommend you do a full scan from time to time to update the station list because:

- New stations sometimes become available
- Stations close or may no longer be received
- Reception was poor during the original scan (for example the aerial wasn't extended)
- You move the radio to a different region

To do a full scan, select **MENU > Scan**.

Remove weak or invalid stations

Weak (burbling) or invalid stations have ‘?’ in front of the station name. They can all be removed by selecting **MENU > Prune**.

Internet radio

Your R2 radio can play thousands of internet radio stations and podcasts from all over the world (connection to Wi-Fi network with internet access required).

Press **SOURCE** and rotate the **CONTROL KNOB** or repeatedly press **SOURCE** until *Internet radio* is displayed, then press the knob to select it.

Main menu

The first time you listen to internet radio you will see the main menu for this mode.



If you have listened to internet radio stations on your R2 before, it will automatically play the last listened station.

Last listened

To access a list of recently listened to stations select **MENU > Last listened**.

When you use your R2 for the first time, the list will be empty.

Station list

You can browse or search the extensive list of stations by selecting **MENU > Station list** and selecting from the various options, including genre, location and popularity.

Now playing information

The station name is shown along with additional information like artist and track name. To change what is displayed select **MENU > Info** and choose from radio text, genre, signal quality, track name, location, and date.

Search for a station

Search for a station by selecting **MENU > Station list > Stations > Search stations** and then entering the name of the station you're looking for.

To return to the previous menu level or station list, press BACK

Podcasts

Many stations will have associated podcasts which you can browse and search for just like internet radio stations.

Mute

Press ►|| to mute and press again to resume listening.

Save a preset

You can store 10 Internet radio stations in your preset list. See 'Common functions' section.

Recall a preset

See 'Common functions' section.

Ruark radio portal

In addition to presets, *Internet radio* has two further ways of storing and organising your favourite radio stations using the online Ruark radio portal.

For more information, visit www.ruarkaudio.com/radiportal

You will need the your radio's unique portal access code so make a note of it by selecting **Menu > Station list > Help > Get access code**.

My favourites

This is similar to storing presets, except that the stations are stored online, on the Ruark radio portal. This means that your saved favourite stations are accessible from any Ruark internet radio product registered on the same account.

To store a station as a favourite, press and hold the CONTROL KNOB until *Favourite added* is displayed. This is only available if you have registered your R2 on the radio portal.

My added stations

You can manually add stations that are not already listed by visiting the online Ruark radio portal. Stations added this way are accessible by selecting **MENU > Station list > My added stations**.

Bluetooth

Your R2 radio is Bluetooth enabled and can receive music streamed from Bluetooth devices such as a smartphone.

Press **SOURCE** and rotate the **CONTROL KNOB** or repeatedly press **SOURCE** until *Bluetooth* is displayed, then press the knob to select it.

To connect your device you must first establish a secure connection to your R2, a process called pairing.

Pairing your Bluetooth device

When you have changed the source to Bluetooth, wait until *Awaiting connection...* is shown and the indicator light (28) on top flashes.

Use the Bluetooth setup on your smart device to pair and connect it to your R2. It will appear in the list of paired devices as *Ruark R2**. When connected, *BT Connected + your device name* (eg Archie's phone) is displayed.

It may take a few seconds for your R2 to appear in the list on your device, and in some cases you may need to input "0000" as the pairing password.

If you do not connect within a few minutes, your R2 will stop attempting to connect and show *No connection*. To connect, select **MENU > Connect device**.

Connecting your Bluetooth device

As soon as you switch to Bluetooth, your R2 will display *Connecting* as it attempts to connect to the last device it was paired with.

If that device isn't available, it displays *Awaiting connection...* To connect to your R2, ensure the Bluetooth function on your device is on and select *Ruark R2** from the paired devices list on your Bluetooth device.

*Friendly name

Your R2 will shown up as Ruark R2 on Bluetooth devices, however, you can change this to something more descriptive like "Archie's R2" or "Living room R2". See System settings.

Play audio

Once connected, audio from your Bluetooth device will play through your R2. For more information on playing audio from your Bluetooth device, refer to your device's documentation.

NOTE: you may need to select your Ruark R2 or Bluetooth as your audio output on your device.

Pause track

Press ►|| and then press again to play.

Play next/previous track

Press ►► to skip to the next track in the folder or album, press ◀◀ to skip to the start of the current track, press again to skip to the previous track.

Adjust volume

We recommend that you set the volume on your Bluetooth device to maximum and then use the volume control on your R2 to adjust playback volume. If the volume on your Bluetooth device is not set to maximum, the playback volume from Bluetooth will be lower than other sources.

Now-playing information

Artist, album and track name will show if your Bluetooth device and app support Bluetooth metadata. You can also show the name of the connected device. Select what is shown from **MENU > Info**.

Operating range

This is typically up to 10 metres (30 feet) from your R2, although obstructions such as walls may reduce this.

Disconnect current device

To disconnect the current device and connect a new one, select **MENU > Connect device**.

Pairing additional devices

You can pair up to 7 devices, although you will only be able to play audio from one device at a time.

Clearing the paired devices list

If you are having trouble connecting your Bluetooth device, we recommend you clear all pairing information. To do this, select **MENU > Forget devices**.

You will also need to delete *Ruark R2* from the paired devices list on your Bluetooth device before pairing it to your R2 again.

For help with using Bluetooth, please visit www.ruarkaudio.com/support.

You cannot use the Bluetooth function on your R2 to connect to Bluetooth headphones

Your R2 includes aptX coding technology so if your smart device is also aptX enabled, you will benefit from CD-quality streaming.

Music player (network & USB)

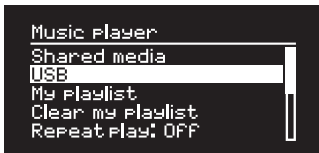
Music player enables you to play audio files stored on a computer on your Wi-Fi network, or from a USB memory stick or portable hard drive (must be FAT32 format).

Press **SOURCE** and rotate the **CONTROL KNOB** or repeatedly press **SOURCE** until *Music player* is displayed, then press the knob to select it.

USB music player

To play audio from a USB mass-storage device such as a USB Flash stick or USB hard drive, connect it to the USB socket on the back of your R2.

When you first connect a USB mass-storage device, your R2 will automatically ask if you want to view the track list. Otherwise, to view the track list select **Menu** > **USB**.



USB charging

The USB socket on your R2 is rated at 5W (1.0A) and will power most USB powered external hard drives. It

will also charge most smartphones including iPhones and most Android and Windows phones.

NOTE: the USB will not charge an Apple iPad or any other device that requires more than 5W.

Network music player

Your R2 is fully DLNA compatible and will play music stored in shared media libraries on other devices on your network. A shared library might be on a laptop, smartphone or tablet, but it could also be on a dedicated music server such as a NAS drive (Network Attached Storage).

Most computers running Windows are already configured as media servers as are most NAS drives and some routers will also work as media servers. There are many apps available for Mac, iOS, Linux, Android, Windows phone, Blackberry, Symbian, etc. that will turn your MP3 player, smartphone or tablet into a music server.

Rights-protected WMA and AAC tracks cannot be played on your R2.

To play music shared by devices on your network select **Menu > Shared media**. After your R2 has scanned your network for shared media you will see a list of music servers consisting of the computer name and shared media name, for example *<Ruark-Laptop: Archie Music>*.

The menus after this are generated by the media server, although in most cases you will find options to browse by genre, folder, artist, album etc.

If your R2 is not connected to a network it will now attempt to connect.

If it cannot connect automatically, the network wizard will start to help you through the process.

Browse and play music

Rotate the **CONTROL KNOB** to scroll through the track lists, then press the knob to open the highlighted folder/album or play the track.

To go back to the previous screen press **BACK**.

Pause track

Press **▶||** and then press again to play.

Skip track

Press **▶▶** to skip to the next track in the folder or album, press **◀◀** to skip to the start of the current track, press again to skip to the previous track.

Fast-forward or rewind

Press and hold **▶▶** or **◀◀** to fast-forward or rewind.

Shuffle play

To play tracks in random order, select **MENU > Shuffle play** and press the **CONTROL KNOB** to toggle shuffle play on and off.

NOTE: It may not be possible to use this function if the folder contains a large number of tracks.

Repeat play

To repeat a single track or all the tracks in the current folder, select **MENU > Repeat play** and press the **CONTROL KNOB** to toggle repeat play on and off.

My playlist

You can create your own playlist and queue of up to 500 tracks. These can be a mixture of tracks from any available media servers and an attached USB device. To manage your playlist, select **Menu > My playlist**.

To add a track or folder to your playlist, highlight it then press and hold the **CONTROL KNOB** for two seconds.

To remove a track from your playlist, highlight the track in My playlist and then press and hold the **CONTROL KNOB** for two seconds.

Now playing information

Typically, the track name is shown with additional information below. To change what is displayed select **MENU > Info** and choose from album and artist information, show the progress bar or signal format.

Prune servers

Your R2 will automatically store the name of media servers it has connected to and that are not currently available are shown with a question mark before their name eg *'?Home-Laptop'*. You can remove them from the list by selecting **MENU > Prune servers > YES**.

DLNA media streaming

You can also stream audio to your R2 from a Digital Living Network Alliance (DLNA) compatible media server. This is where you browse for music on the server itself and play it through your R2. There are many apps available for Mac, iOS, Linux, Android, Windows phone, etc that will turn your smartphone, tablet or laptop into a DLNA media server. Windows Media Player even has a 'Play to' function built in that allows you to stream music stored on your computer directly to your R2.

With DLNA media streaming, your R2 functions as a Digital Media Renderer (DMR) so you browse for music on your smartphone or laptop and then stream it to your R2 over your network.

Your R2 will automatically change to DMR mode when you select your R2* as your chosen player – DMR is not a mode that can be selected using the **SOURCE** key.

Similarly, all the Now playing information will be controlled by the server so there are no settings you can change.

For more details refer to the documentation for your device or app or visit www.ruarkaudio.com/support.

DLNA media streaming requires that your R2 is connected to your Wi-Fi network so we recommend that you set it to keep network connected. See system settings section.

Spotify Connect




Spotify is one of the world's leading digital music services that gives you instant access to over 20 million songs. With Spotify Connect you can stream your favourite music from the Spotify app on a smartphone or tablet directly to your R2.

Spotify Premium subscription required, for more details and a free 30-day trial, visit www.spotify.com/freetrial/

Link Spotify to your R2

When you use Spotify Connect for the first time your R2 must be on the same Wi-Fi network as your smart device.

Launch the Spotify app on your smartphone or tablet, tap on the Now Playing bar and tap on the speaker icon . Choose *Ruark Audio R2** from the list of available devices and your Spotify audio will automatically start playing on the R2. This will also link your Spotify account to your R2.

** If you have changed the friendly name of your R2 it will show up as this new name rather than Ruark Audio R2. See System settings section.*

Once you have linked your Spotify account to your R2 can listen to your Spotify playlists directly, without using your smart device.

Press **SOURCE** and rotate the **CONTROL KNOB** or repeatedly press **SOURCE** until *Spotify* is displayed, then press the knob to select it. Press **▶||** to start playing from your current Spotify playlist.

If *Waiting for Users* is displayed you need to link your Spotify account to your R2 again.

For more information visit www.spotify.com/connect/

Pause track

Press **▶||** and then press again to play.

Skip track

Press **▶▶|** or **||◀◀** to skip to the next or previous track in the playlist.


Your R2 must be connected to the internet in order to use Spotify Connect. Please ensure the option 'keep network connected' is set to On. See system settings section.

Now playing information

To change what track information is displayed select **MENU > Info** and choose from artist, album, format, date or progress bar.

CAUTION: When you stream music to your R2 from Spotify on your mobile device, your R2 will automatically switch source and play the audio. This will also work if you are away from home, depending on volume level, the output may be loud, so be sure to check the audio output selection carefully before starting audio streaming.

Line in audio inputs

You can listen to audio from an external audio device by connecting it to the audio input 1 () on the front using a 3.5mm stereo jack cable or to the audio input 2 (AUX IN) on the back using a stereo RCA/phono cable.

Press **SOURCE** and rotate the **CONTROL KNOB** or repeatedly press **SOURCE** until *Line in 1* or *Line in 2* is displayed, then press the knob to select it.

If your external audio source has a volume control you may need to adjust it for best performance. If it's too high the sound may distort; if it's too low the playback volume may be too low.

Troubleshooting

For help with your product, please refer to the FAQ (Frequently Asked Questions) page in the support area of our website.

www.ruarkaudio.com/support

Safety and regulatory information

- Read this user guide and follow all instructions, it will help you set up and operate your product properly.
- Heed all warnings and keep this user guide for future reference.
- Do not attempt to use a damaged device as this could result in a dangerous electric shock.
- Do not open the unit or remove any panels to expose the electronics. No user serviceable parts inside.
- Refer all servicing to qualified service personnel. Servicing is required when the device has been damaged in any way, such as power-supply cord or plug is damaged, liquid has been spilled or objects have fallen into the device, the device has been exposed to rain or moisture, does not operate normally, or has been dropped.
- This device is intended to be operated ONLY from the AC Voltages listed on the back panel or included power supply. Operation from other voltages other than those indicated may cause irreversible damage to the device and void the product warranty.
- Use only the power supply provided with the device or an approved alternative.
- Ensure that the power adapter, mains plug or mains connector into the unit is readily accessible in case disconnection from the mains is required.
- The mains adapter, mains plug or mains connector must be removed from the socket to completely disconnect the system from mains power.
- Liquids can cause a failure and/or a fire hazard. Do not expose this device to dripping or splashing, and do not place objects filled with liquids, such as vases, on or near the device.
- Do not place any naked flame sources, such as lighted candles, on or near the device. Do not install near any heat sources such as radiators, stoves, or other devices (including amplifiers) that produce heat.
- Avoid exposure to extreme heat or cold.
- Only use attachments/accessories specified for this device. Make no modifications to the system or accessories. Unauthorised alterations may compromise safety, regulatory compliance, and system performance.
- Only use the supplied aerial or an approved replacement.
- To reduce the risk of fire or electrical shock, do not expose the device to rain or moisture. Do not expose this device to dripping or splashing, and do not place objects filled with liquids, such as vases, on or near the device. As with any electronic products, use care not to spill liquids into any part of the system. Liquids can cause a failure and/or a fire hazard.
- Unplug this device during lightning storms or when unused for long periods of time to prevent damage to this device.
- To prevent risk of fire or electric shock, avoid overloading wall outlets, extension cords, or integral convenience receptacles.
- Long-term exposure to loud music may cause hearing damage. It is best to avoid extreme volume when using headphones, especially for extended periods.
- The remote control supplied with this product contains a Lithium coin cell battery. Do not swallow. Keep new and used batteries away from children. Do not handle leaking or damaged batteries.
- Long-term exposure to loud music may cause hearing damage. It is best to avoid extreme volume when using headphones, especially for extended periods.
- Do not install this device in a confined space. Always leave a space of at least 10cm around the device for ventilation and ensure that curtains or other objects never cover ventilation openings on the device.



This device is labelled in accordance with European Directive 2002/96/EC concerning waste electrical and electronic equipment. This symbol indicates that the product or associated batteries should not be disposed of as general household waste. As with any electrical equipment, please dispose of it according to local regulations.



(excludes US version)

CE COMPLIANCE INFORMATION

This product conforms to all EU Directive requirements as applicable by law. You may obtain a free copy of the Declaration of Conformity by contacting your dealer, distributor, or Ruark Audio.



(US version only)

FCC COMPLIANCE INFORMATION

This product complies with Part 15 of the FCC Rules. Operation is subject to the following two conditions:

- (1) this device may not cause harmful interference, and
- (2) this device must accept any interference received, including interference that may cause undesired operation.

Any modifications not approved by Ruark Audio may void the authority granted to the user by the FCC to operate this equipment.

This equipment complies with FCC and Industry Canada radiation exposure limits set forth for an uncontrolled environment. This equipment should be installed and operated with a minimum distance

of 20 cm between radiator and your body.

This equipment has been tested and found to comply with the limits for a Class B digital device, pursuant to part 15 of the FCC Rules. These limits are designed to provide reasonable protection against harmful interference in a residential installation. This equipment generates, uses and can radiate radio frequency energy and, if not installed and used in accordance with the instructions, may cause harmful interference to radio communications. However, there is no guarantee that interference will not occur in a particular installation. If this equipment does cause harmful interference to radio or television reception, which can be determined by turning the equipment off and on, the user is encouraged to try to correct the interference by one or more of the following measures:

- Reorient or relocate the receiving antenna.
- Increase the separation between the equipment and receiver.
- Connect the equipment into an outlet on a circuit different from that to which the receiver is connected.
- Consult the dealer or an experienced radio/TV technician for help.

Approved under the verification provision of FCC Part 15 as a Class B Digital Device.

Guarantee information

We guarantee this product to be free from defects for a period of two years from date of purchase, providing due care and attention has been paid. Product failure through accidental damage (however caused), excessive wear and tear, negligence or unauthorised modification will void your guarantee.

Should you experience a problem please contact us via our website www.ruarkaudio.com or by calling directly on 01702 601410 where we will advise the course of action. If your product needs to be returned it should be packaged in its original packing along with proof of purchase. If it is not possible to return the product by hand, then it should be sent carriage prepaid by a reputable parcel carrier. If the original packing is not available, replacement packing can be purchased from us.

Guarantee for overseas sales

The distributor in the country of purchase guarantees products purchased outside the UK. For details, please contact your local Ruark distributor or outlet.

THIS GUARANTEE IN NO WAY VARIES OR REMOVES THE PURCHASER'S STATUTORY RIGHTS. E&OE

General care

- Clean with a soft, lint-free duster or slightly dampened cloth. Do not use wax sprays or other substances as these may damage the surface finish or impair performance.
- Do not expose your unit to direct sunlight, high humidity, dust, excessive vibration or extreme temperatures, all of which can affect the finish, performance and reliability of the unit.
- Recommended operating temperature range is 5°C to 40°C.
- Natural wood finish cabinets will vary and lighten or darken with age, particularly when exposed to sunlight.

Copyright and trademarks

© 2014 Ruark Audio. All rights reserved. Ruark Audio, the Ruark Audio logo, and other Ruark Audio marks are owned by Ruark Audio and may be registered. All other trademarks are the property of their respective owners. Ruark Audio assumes no responsibility for any errors that may appear in this manual and the information contained in it may change without notice.

Bluetooth® and associated logos are registered trademarks owned by Bluetooth SIG, Inc.

The Spotify software is subject to third party licenses found here: www.spotify.com/connect/third-party-licenses

All other trademarks are the property of their respective owners



59 Tailors Court, Temple Farm Industrial Estate,
Southend on Sea, Essex, SS2 5TH, UK
+44 (0) 1702 601 410 www.ruarkaudio.com

Designed in
Great Britain



20141031.1